

CROSS AUGERS

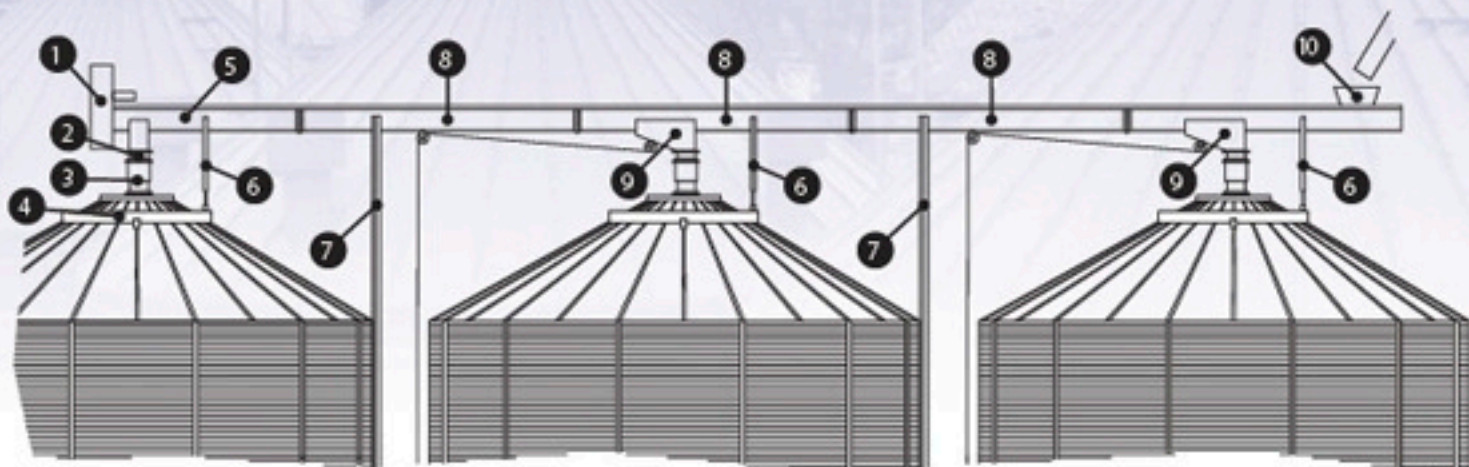
Cross Auger



Custom Application

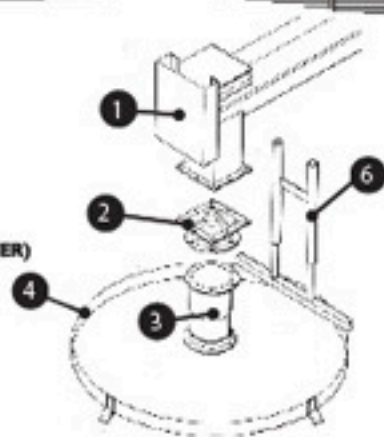


CROSS AUGERS

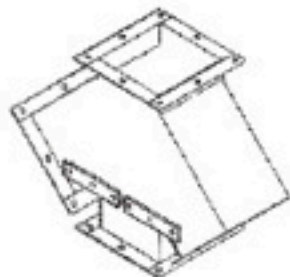


ALL CROSS AUGER AVAILABLE IN 8", 10", 12", 14" & 16" U-TROUGH

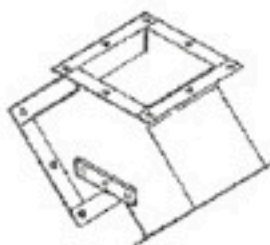
- | | |
|---|---|
| ① DRIVE | ⑥ ADJUSTABLE BIN STAND |
| ② SQUARE TO ROUND TRANSITION | ⑦ ADJUSTABLE EAVE STAND |
| ③ SLIP JOINT | ⑧ 10' INTERMEDIATE SECTION |
| ④ BIN RING | ⑨ 10" SLIDE SHUT OFF (WITH CABLE & LEVER) |
| ⑤ DRIVE SECTION (WITH SQUARE DISCHARGE) | ⑩ 20" X 20" INLET HOPPER |



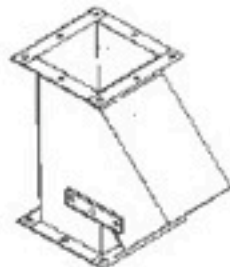
3-WAY VALVE



2-WAY VALVE



2-WAY OFFSET VALVE



FEATURES / OPTIONS

- 2 & 3 way valves available
- Split wood bearings - hanger bearing
- 2 1/2" or 3 1/2" Connector Shafts
- Connector Flanges.

Norstar
INDUSTRIES

Box 119, R.R. 1
Morris, Manitoba R0G 1K0
Phone: 204.746.8200
Fax: 204.746.8074
Email: info@norstarindustries.ca
www.norstarindustries.ca

Distributed by:

