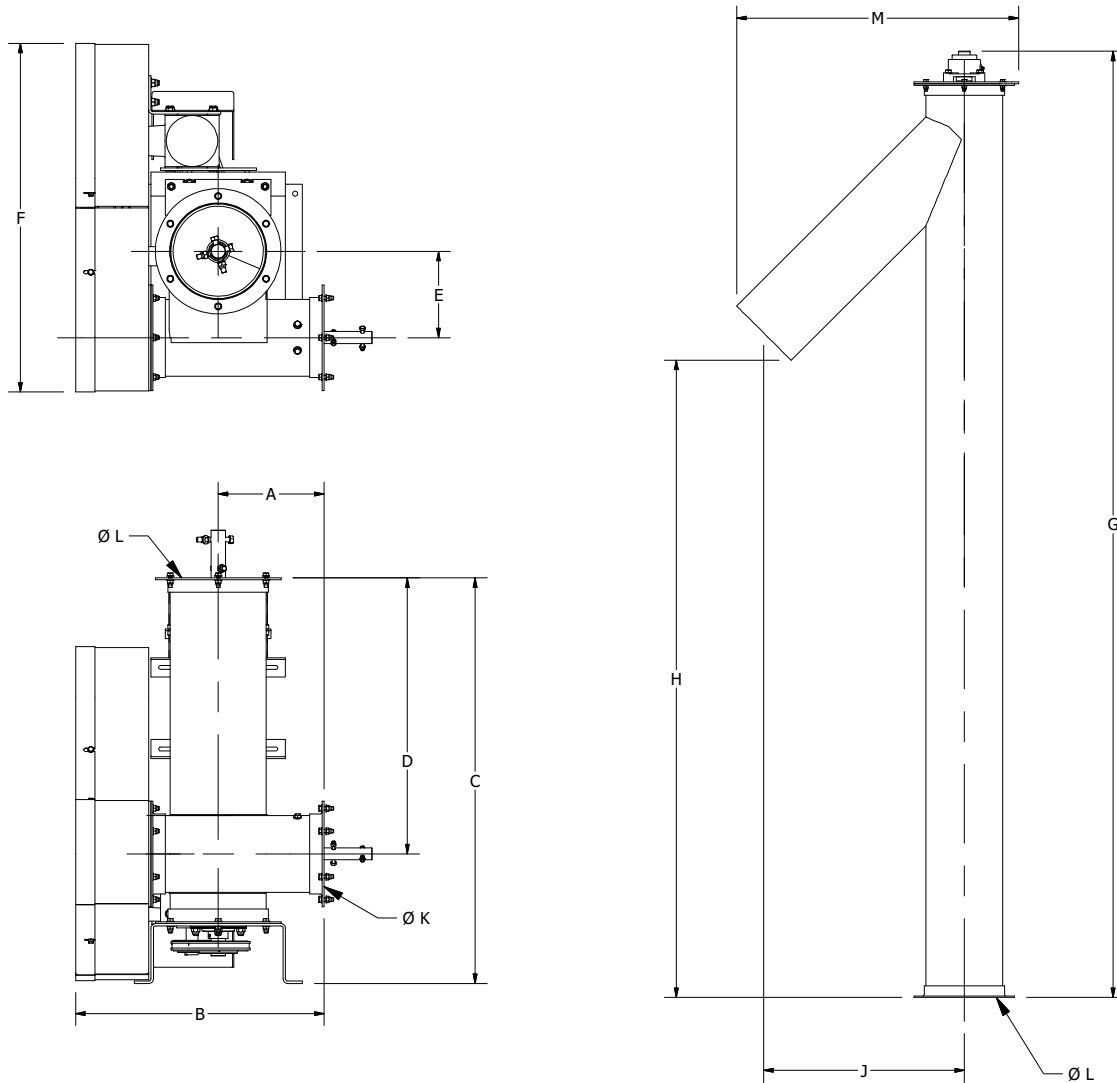




Vertical Unload Spec Sheet



Model #	A	B	C	D	E	F	G	H	J	K	L	M
8"	11"	25.825"	42.25"	28.75"	9"	36.337"	123.25"	83.009"	26.065"	8"	10"	36.656"
10"	10"	25.825"	42.25"	27.75"	11"	39.368"	123.375"	82.302"	26.123"	10"	12"	38.261"