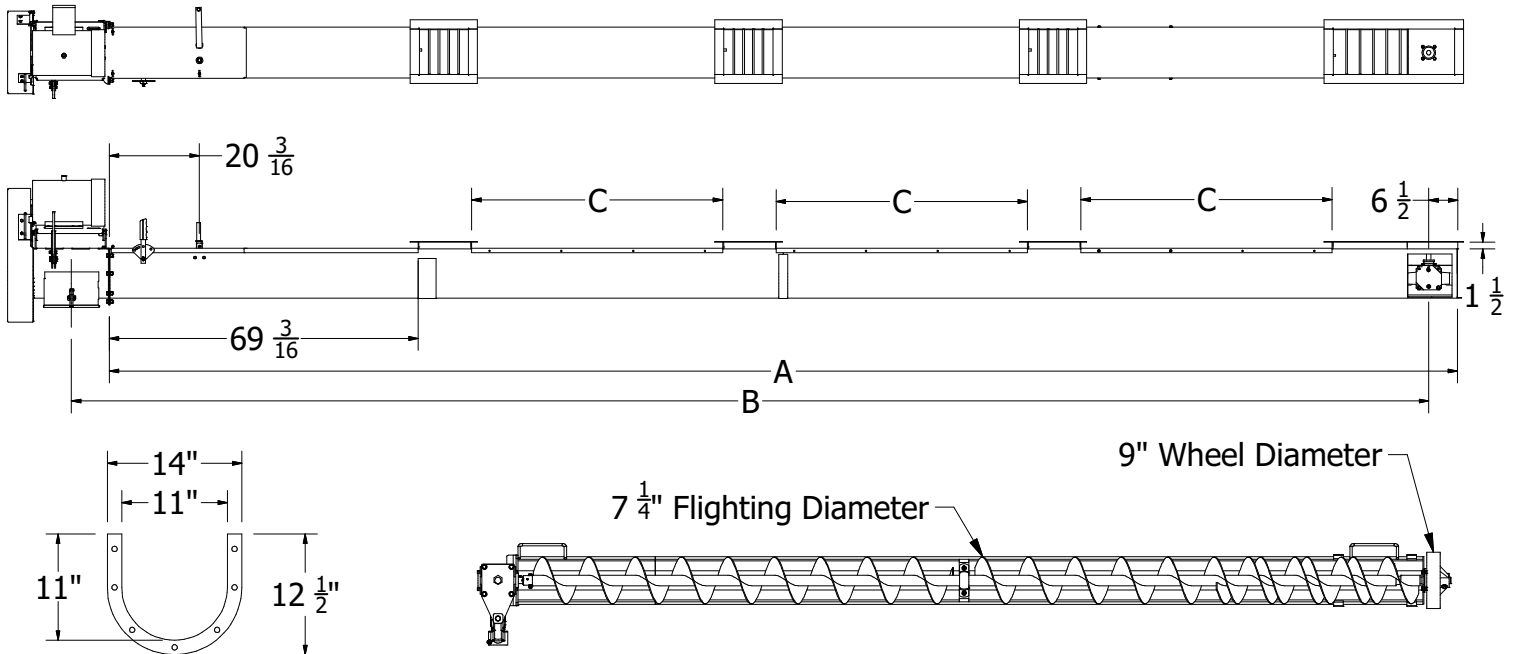




Power-Matic UT Spec Sheet



MODEL NO.	INTERMEDIATE GATES	A	B	C	MIN BIN DIAMETER	MAX BIN DIAMETER
14/15	1	136.667"	138.713"	27.375"	13.486'	15.856'
18/19	1	156.167"	158.213"	46.875"	16.986'	19.366'
20/22	1	173.667"	175.713"	64.375"	19.819'	22.204'
24/26	1	194.667"	196.713"	85.375"	23.819'	26.208'
27/29	2	215.073"	217.119"	46.891"	26.653'	29.044'
30/31	2	232.605"	234.650"	55.656"	29.569'	31.963'
32/34	2	247.167"	249.213"	62.938"	31.986'	34.381'
35/37	2	265.167"	267.213"	71.938"	34.986'	37.383'
38/40	2	283.167"	285.213"	80.938"	37.986'	40.384'
42/43	3	302.089"	304.134"	56.266"	41.153'	43.551'
44/46	3	319.105"	321.150"	61.938"	43.986'	46.385'
48/50	3	341.136"	343.181"	69.281"	47.653'	50.052'